

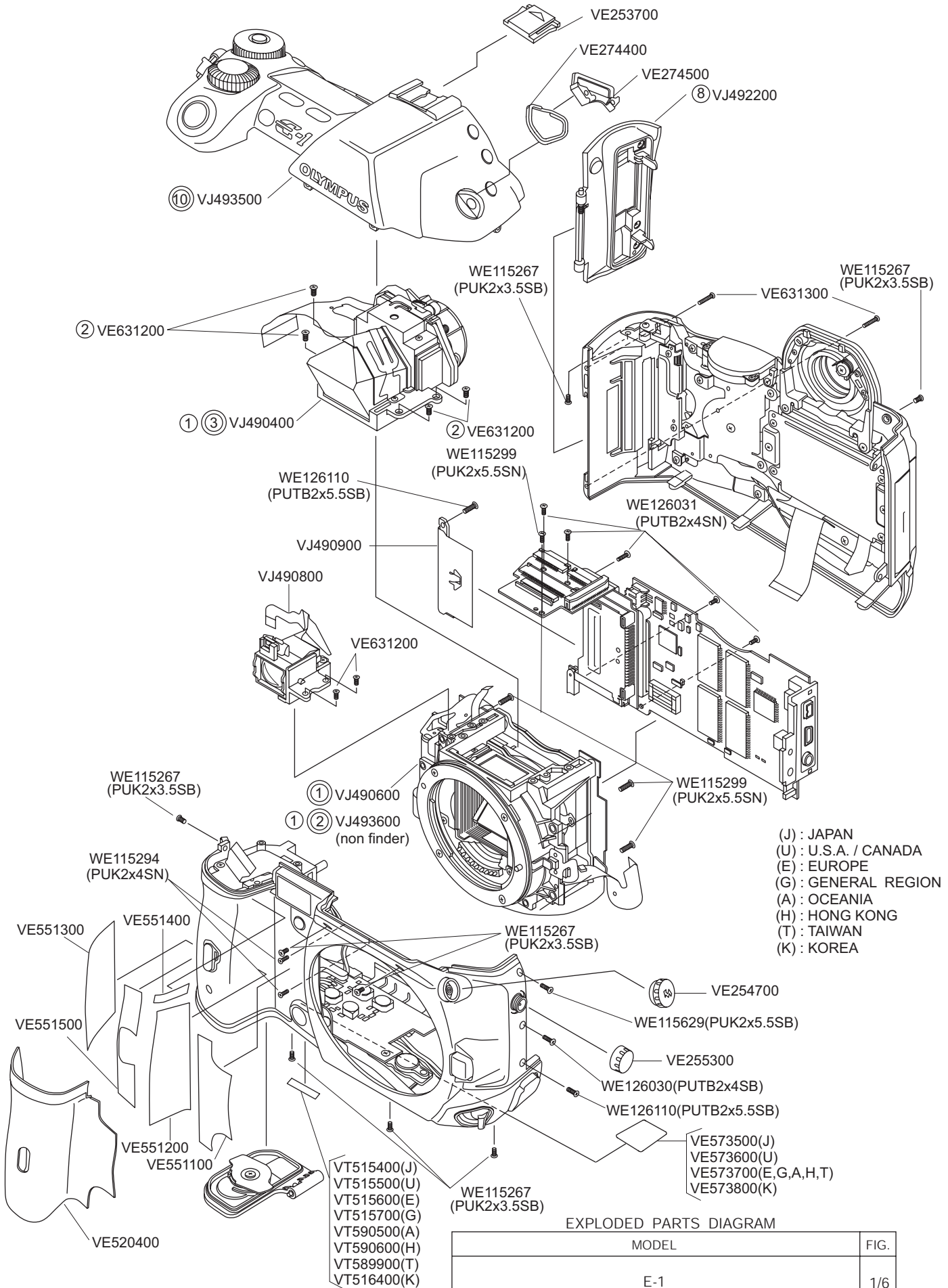
A | B | C | D

1

2

3

4



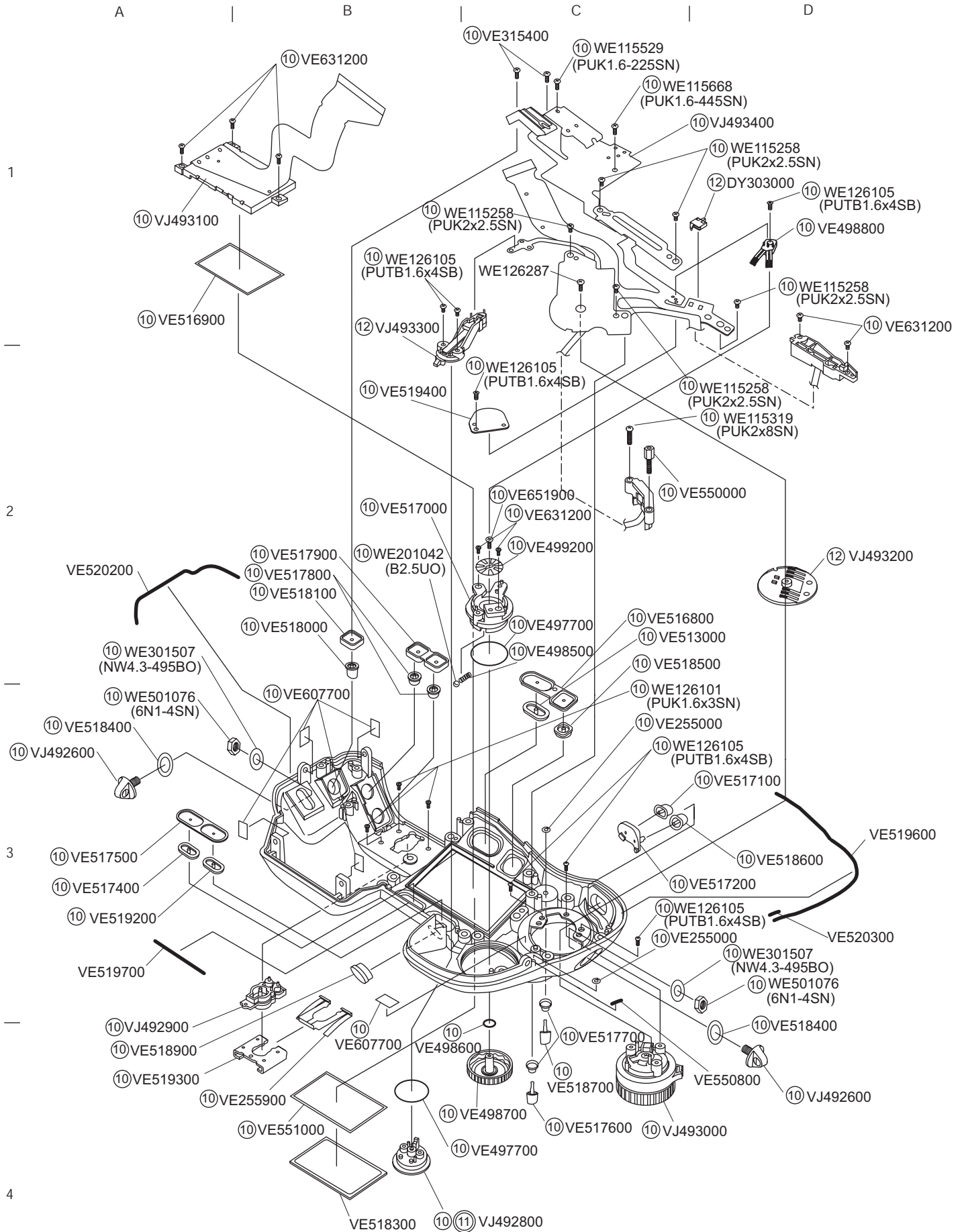
(J) : JAPAN  
 (U) : U.S.A. / CANADA  
 (E) : EUROPE  
 (G) : GENERAL REGION  
 (A) : OCEANIA  
 (H) : HONG KONG  
 (T) : TAIWAN  
 (K) : KOREA

EXPLODED PARTS DIAGRAM

MODEL	FIG.
E-1	1/6

Ver.1  
2003.10

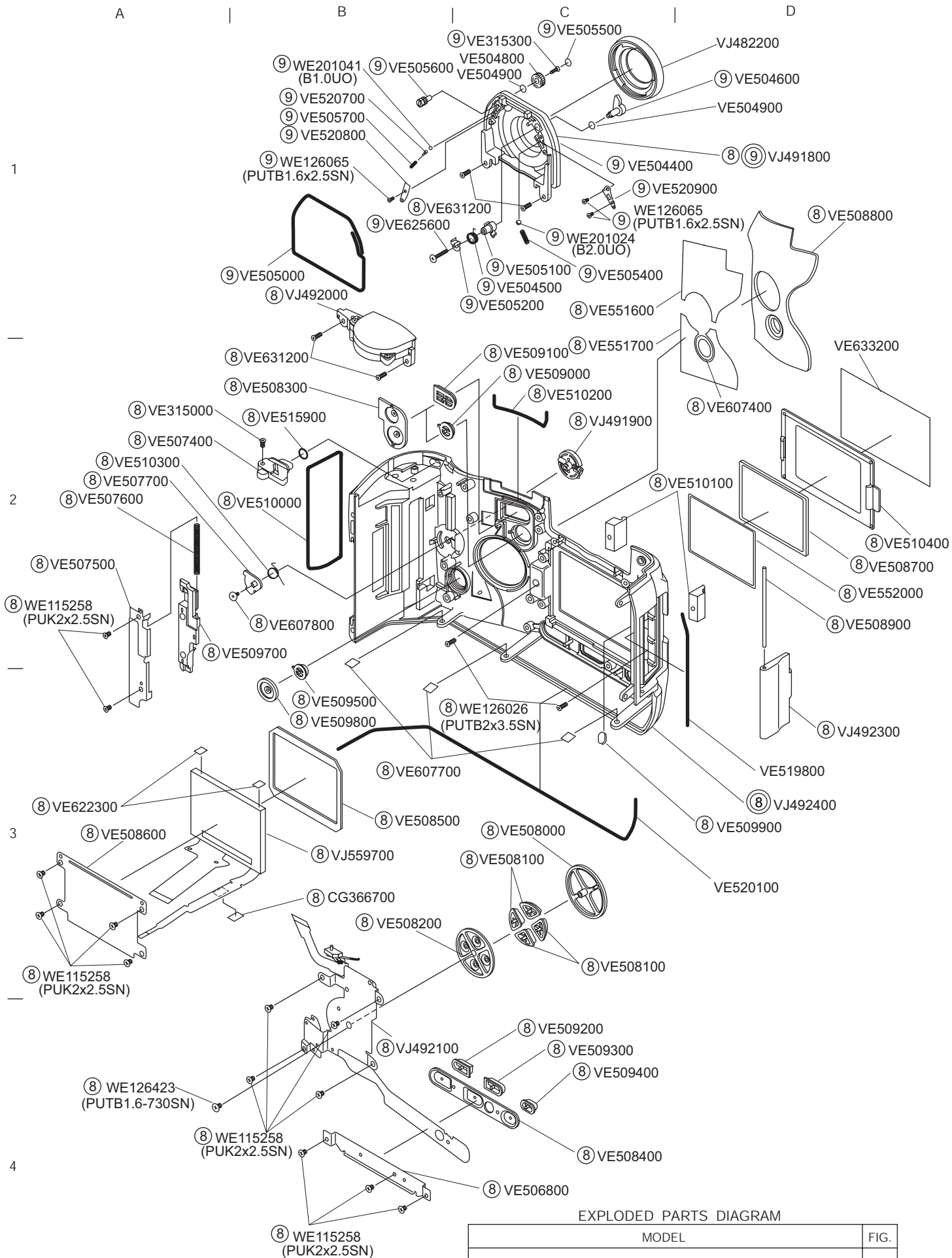
OLYMPUS CORPORATION



EXPLODED PARTS DIAGRAM

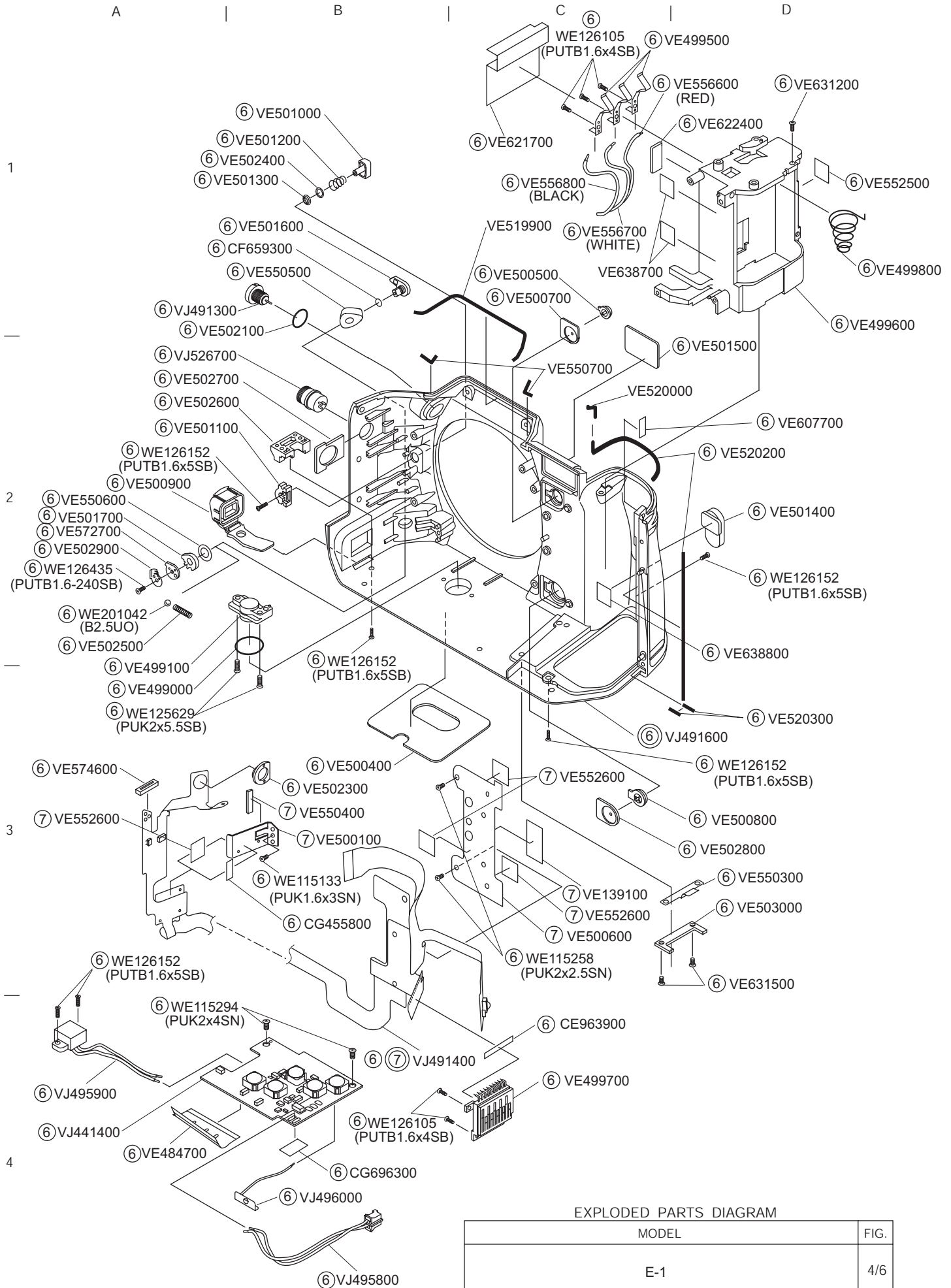
MODEL	FIG.
E-1	2/6
OLYMPUS CORPORATION	

Ver.1  
2003.10



EXPLODED PARTS DIAGRAM

MODEL	FIG.
E-1	3/6
OLYMPUS CORPORATION	



EXPLODED PARTS DIAGRAM

MODEL	FIG.
E-1	4/6
OLYMPUS CORPORATION	

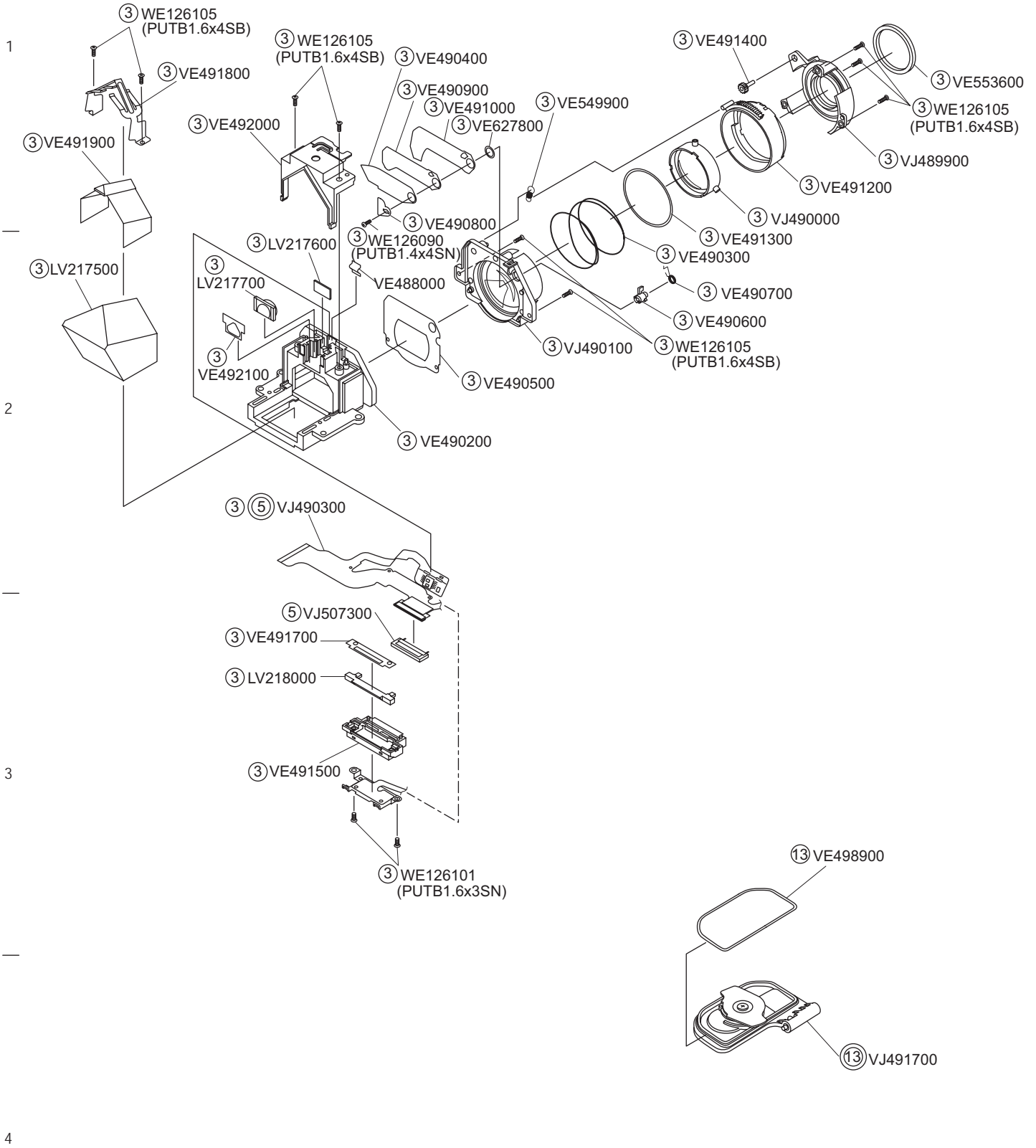
Ver.1  
2003.10

A

B

C

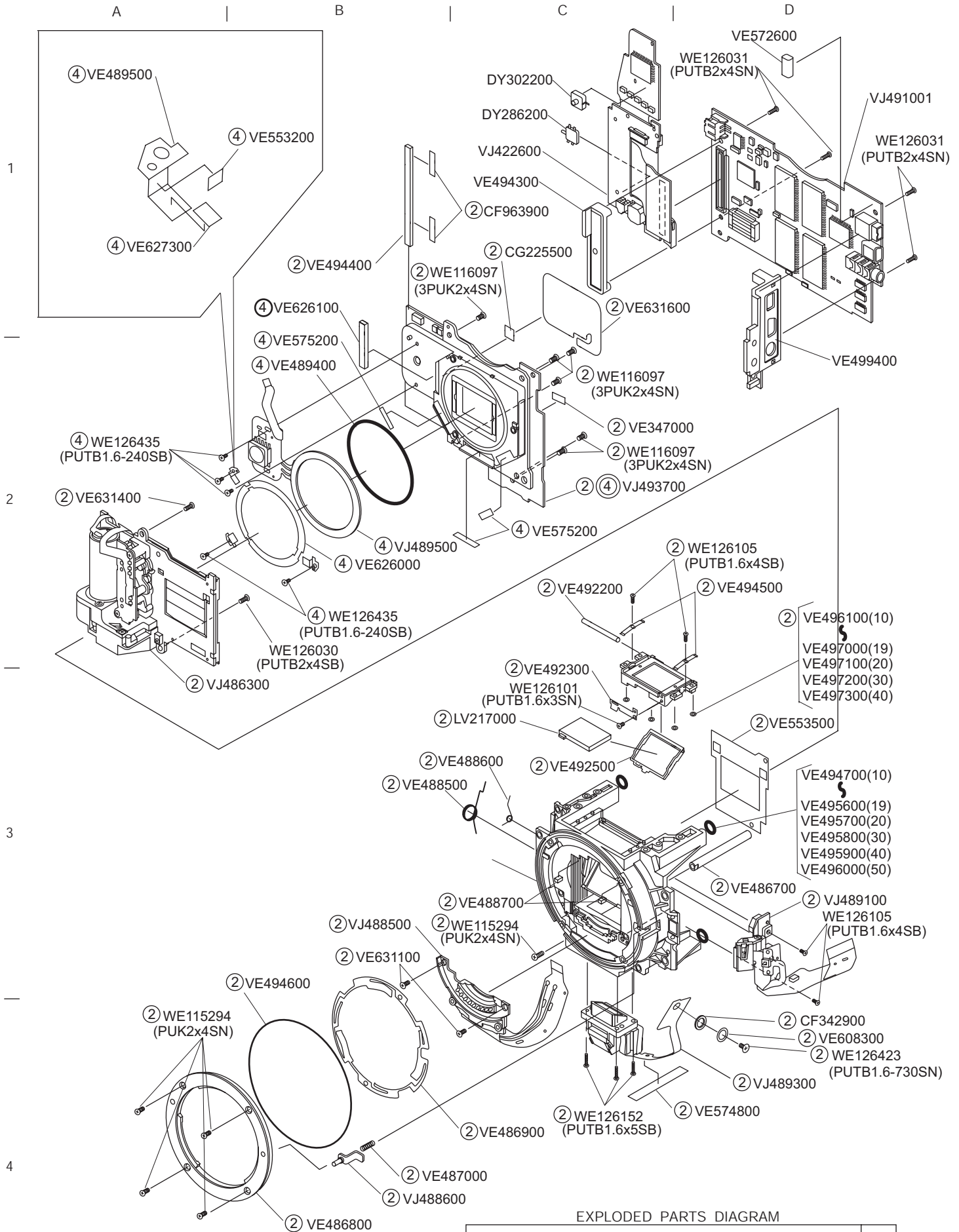
D



EXPLODED PARTS DIAGRAM

MODEL	FIG.
E-1	5/6
OLYMPUS CORPORATION	

Ver.1  
2003.10



EXPLODED PARTS DIAGRAM

MODEL	FIG.
E-1	6/6

Ver.1  
2003.10

OLYMPUS CORPORATION

## PARTS LIST

E-1

REF No.	PARTS NO	DESCRIPTION	REMARKS	NOTE
	CE963900	PCB Tape D	4-C4,6-C1	
	CF342900	Rubber 1	6-D4	
	CF659300	DK Ring	4-B1	
	CG225500	PSD Tape	6-C1	
	CG366700	RSW Tape	3-B3	
	CG455800	BR Tape	4-B3	NEW
	CG696300	FE Tape	4-B4	
	DY286200	Card SW	6-C1	
	DY302200	Battery SW	6-C1	
	DY303000	Power SW	2-D1	
	VE139100	S FPCB Tape	4-C3	
	VE253700	X Cover 42	1-C1	
	VE254700	Syncro Cap	1-D3	
	VE255000	R Stopper	1-C4,2-C3	NEW
	VE255300	CR Cap	1-D1,2-C3	
	VE255900	Spring Terminal H	2-B4	
	VE274400	Strap Ring	1-C1	
	VE274500	Strap Cover	1-C1	
	VE315000	U1.6x3NM	3-A2	
	VE315300	U1.6x3.5NM	3-C1	
	VE315400	U1.6x4NM	2-C1	
	VE347000	ZR Tape 2	6-C2	
	VE484700	CMP FPCB	4-A4	NEW
	VE486700	PCB Base	6-D3	NEW
	VE486800	B Mount	6-B4	NEW
	VE486900	Mount Spring	6-C4	NEW
	VE487000	MT Lock Spring	6-B4	NEW
	VE488000	Sensor Holder	5-B2	NEW
	VE488500	MU Spring	6-B3	NEW
	VE488600	MD Spring	6-C3	NEW
	VE488700	Mirror Damper	6-C3	NEW
	VE489400	US Rubber	6-B2	NEW
	VE489500	US Holder	6-A1	NEW
	VE490200	P Frame	5-B2	NEW
	VE490300	Dioptr Spring	5-C2	NEW
	VE490400	ES Blade 1	5-B1	NEW
	VE490500	ES Frame	5-B2	NEW
	VE490600	ES Shaft	5-C2	NEW
	VE490700	ES Spring	5-C2	NEW
	VE490800	ES Holder	5-B1	NEW
	VE490900	ES Blade 2	5-B1	NEW
	VE491000	ES Blade 3	5-B1	NEW
	VE491200	Dioptr Cam	5-D1	NEW
	VE491300	Dioptr Ring	5-C2	NEW
	VE491400	Dioptr Gear	5-C1	NEW
	VE491500	FLCD Frame	5-B3	NEW
	VE491700	FLCD Mask	5-B3	NEW
	VE491800	Prism Holder	5-A1	NEW
	VE491900	Prism Cover	5-A1	NEW
	VE492000	FAE Cover	5-A1	NEW
	VE492100	FAE Mask	5-A2	NEW
	VE492200	S Holder Shaft	6-C2	NEW
	VE492300	S Holder stopper	6-C3	NEW

## PARTS LIST

E-1

REF No.	PARTS NO	DESCRIPTION	REMARKS	NOTE
	VE492500	S Holder	6-C3	NEW
	VE494300	BB Holder	6-C1	NEW
	VE494400	BB Spacer	6-B1	NEW
	VE494500	SH Holder	6-D2	NEW
	VE494600	Mount Packing	6-B3	NEW
	VE494700	CAM Spacer 10	6-D3	NEW
	VE494800	CAM Spacer 11	6-D3	NEW
	VE494900	CAM Spacer 12	6-D3	NEW
	VE495000	CAM Spacer 13	6-D3	NEW
	VE495100	CAM Spacer 14	6-D3	NEW
	VE495200	CAM Spacer 15	6-D3	NEW
	VE495300	CAM Spacer 16	6-D3	NEW
	VE495400	CAM Spacer 17	6-D3	NEW
	VE495500	CAM Spacer 18	6-D3	NEW
	VE495600	CAM Spacer 19	6-D3	NEW
	VE495700	CAM Spacer 20	6-D3	NEW
	VE495800	CAM Spacer 30	6-D3	NEW
	VE495900	CAM Spacer 40	6-D3	NEW
	VE496000	CAM Spacer 50	6-D3	NEW
	VE496100	F Spacer 10	6-D2	NEW
	VE496200	F Spacer 11	6-D2	NEW
	VE496300	F Spacer 12	6-D2	NEW
	VE496400	F Spacer 13	6-D2	NEW
	VE496500	F Spacer 14	6-D2	NEW
	VE496600	F Spacer 15	6-D2	NEW
	VE496700	F Spacer 16	6-D2	NEW
	VE496800	F Spacer 17	6-D2	NEW
	VE496900	F Spacer 18	6-D2	NEW
	VE497000	F Spacer 19	6-D2	NEW
	VE497100	F Spacer 20	6-D2	NEW
	VE497200	F Spacer 30	6-D3	NEW
	VE497300	F Spacer 40	6-D3	NEW
	VE497700	R Rubber 2	2-C2, 2-C4	NEW
	VE498500	MS Spring	2-C2	NEW
	VE498600	MS Rubber	2-B4	NEW
	VE498700	SS Dial	2-C4	NEW
	VE498800	Dial SW	2-D1	NEW
	VE498900	D Cover Rubber	5-D3	NEW
	VE499000	Tripod Ring	4-A3	NEW
	VE499100	Tripod Seat	4-A3	NEW
	VE499200	DIAL PCB	2-C2	NEW
	VE499400	Connect Base	6-D2	NEW
	VE499500	B Contact	4-D1	NEW
	VE499600	D Wall	4-D1	NEW
	VE499700	D Terminal Base	4-C4	NEW
	VE499800	D Spring	4-D1	NEW
	VE500100	F Lever Plate	4-B3	NEW
	VE500400	Tripod Rubber	4-B3	NEW
	VE500500	WS Button	4-C1	NEW
	VE500600	WS Plate	4-C3	NEW
	VE500700	WS Button Rubber	4-C1	NEW
	VE500800	PRV Button	4-D3	NEW
	VE500900	DC Cover	4-A2	NEW
	VE501000	Joint B	4-B1	NEW
	VE501100	Joint Holder	4-A1	NEW



## PARTS LIST

E-1

REF No.	PARTS NO	DESCRIPTION	REMARKS	NOTE
	VE501200	Joint Spring	4-B1	NEW
	VE501300	Joint B Rubber	4-B1	NEW
	VE501400	RC Window	4-D2	NEW
	VE501500	AF Window	4-D2	NEW
	VE501600	F Lever	4-B1	NEW
	VE501700	F Lever Cam	4-A2	NEW
	VE502100	SYN Ring	4-A1	NEW
	VE502300	SYN Nut	4-B3	NEW
	VE502400	JR Holder	4-B1	NEW
	VE502500	F Lever Spring	4-A2	NEW
	VE502600	DC Base	4-A2	NEW
	VE502700	CR Stopper	4-A2	NEW
	VE502800	PRV Button Rubber	4-D3	NEW
	VE502900	F Lever Contact	4-A2	NEW
	VE503000	D Shaft Holder	4-3D	NEW
	VE504400	Eyepiece Frame	3-C1	NEW
	VE504500	EPS Spring	3-C1	NEW
	VE504600	EPS Knob	3-D1	NEW
	VE504800	Dioptr Knob	3-C1	NEW
	VE504900	Dioptr Rubber 1	3-C1,D1	NEW
	VE505000	Eyepiece Rubber 1	3-B1	NEW
	VE505100	EPS Lever 1	3-C1	NEW
	VE505200	EPS Lever 2	3-C1	NEW
	VE505400	EPS Spring	3-C1	NEW
	VE505500	Dioptr Seal	3-C1	NEW
	VE505600	Dioptr Coupler	3-B1	NEW
	VE505700	Dioptr	3-B1	NEW
	VE506800	BFPCB Holder B	3-C4	NEW
	VE507400	C Access Window	3-A2	NEW
	VE507500	C Lock Holder	3-A2	NEW
	VE507600	C Lock Spring	3-A2	NEW
	VE507700	C Lock Lever	3-A2	NEW
	VE508000	Arrow Pad Frame	3-C3	NEW
	VE508100	Arrow Pad	3-C3	NEW
	VE508200	Arrow Pad Rubber	3-B3	NEW
	VE508300	BM Rubber	3-B2	NEW
	VE508400	BB Rubber	3-C4	NEW
	VE508500	Monitor Cushion	3-B3	NEW
	VE508600	Monitor Holder	3-A3	NEW
	VE508700	Monitor Window	3-D2	NEW
	VE508800	BG Rubber	3-D1	NEW
	VE508900	C Cover shaft	3-D2	NEW
	VE509000	MO Button	3-C2	NEW
	VE509100	ME Button	3-C2	NEW
	VE509200	DE Button	3-C4	NEW
	VE509300	PR Button	3-C4	NEW
	VE509400	IN Button	3-C4	NEW
	VE509500	OK Button	3-B3	NEW
	VE509700	C Lock Plate	3-A2	NEW
	VE509800	OK Rubber	3-B3	NEW
	VE509900	CCS Holder	3-D3	NEW
	VE510000	Card Rubber	3-B2	NEW
	VE510100	MC Stand	3-D2	NEW
	VE510200	MS Plate Rubber	3-C2	NEW
	VE510300	CRL Spring	3-A2	NEW

## PARTS LIST

E-1

REF No.	PARTS NO	DESCRIPTION	REMARKS	NOTE
	VE510400	Monitor Cover	3-D2	NEW
	VE513000	LT Button	2-C2	NEW
	VE515900	PBSW Rubber	3-B2	NEW
	VE516800	LTI Rubber	2-C2	NEW
	VE516900	CP Rubber	2-A1	NEW
	VE517000	SS Frame	2-B2	NEW
	VE517100	AEL Button	2-D3	NEW
	VE517200	AEF Rubber	2-D3	NEW
	VE517400	ST Button	2-A3	NEW
	VE517500	SQ Rubber	2-A3	NEW
	VE517600	WB Button	2-C4	NEW
	VE517700	SW Rubber	2-C4	NEW
	VE517800	BDE Button 1	2-B2	NEW
	VE517900	BDE Rubber 1	2-B2	NEW
	VE518000	BDE Button 2	2-B2	NEW
	VE518100	BDE Rubber 2	2-B2	NEW
	VE518300	CP Window	2-B4	NEW
	VE518400	SF Sheet	2-A3, 2-D4	NEW
	VE518500	ISO Button	2-C2	NEW
	VE518600	AFF Button	2-D3	NEW
	VE518700	PM Button	2-C4	NEW
	VE518900	WB Window	2-A4	NEW
	VE519200	Q Button	2-A3	NEW
	VE519300	X Shoe	2-A4	NEW
	VE519400	SS Cover	2-B2	NEW
	VE519600	UM Rubber 1	2-D3	NEW
	VE519700	UM Rubber 2	2-A3	NEW
	VE519800	UM Rubber 3	3-D3	NEW
	VE519900	MU Rubber 1	4-C1	NEW
	VE520000	MU Rubber 2	4-C2	NEW
	VE520100	AM Rubber 1	3-D3	NEW
	VE520200	MA Rubber 1	2-A2,4-D2	NEW
	VE520300	MA Rubber 2	2-D3,4-D3	NEW
	VE520400	Front G Rubber	1-A4	NEW
	VE520700	Dioptr Click Holder	3-B1	NEW
	VE520800	Dioptr Click Cover	3-B1	NEW
	VE520900	EPS Click Cover	3-C1	NEW
	VE539200	B Cap		NEW
	VE549900	Dioptr Cam Spring	5-C1	NEW
	VE550000	AEF Screw	2-C2	NEW
	VE550300	C Cover Plate	4-D3	NEW
	VE550400	FR-FPCB Holder	4-B3	NEW
	VE550500	F Lever Cover	4-B1	NEW
	VE550600	F Lever NW	4-A2	NEW
	VE550700	MU Rubber 3	4-C2	NEW
	VE550800	AM Rubber 2	2-D4	NEW
	VE551000	C Window Tape	2-B4	NEW
	VE551100	FG Tape 1	1-A4	NEW
	VE551200	FG Tape 2	1-A4	NEW
	VE551300	FG Tape 3	1-A3	NEW
	VE551400	FG Tape 4	1-A3	NEW
	VE551500	FG Tape 5	1-A4	NEW
	VE551600	BG Tape 1	3-C1	NEW
	VE551700	BG Tape 2	3-C2	NEW
	VE552000	M Window Tape	3-D2	NEW

## PARTS LIST

E-1

REF No.	PARTS NO	DESCRIPTION	REMARKS	NOTE
	VE552500	0808 Tape	4-D1	NEW
	VE552600	1010 Tape	4-A3,C3	NEW
	VE553200	US Holder Sheet	6-B1	NEW
	VE553500	Shutter Mask	6-D3	NEW
	VE553600	Eyepiece Rubber 3	5-D1	NEW
	VE556600	HS RD	4-D1	NEW
	VE556700	HS WH	4-C1	NEW
	VE556800	HS BK	4-C1	NEW
	VE572600	IE G	6-D1	NEW
	VE572700	Insulating Plate	4-A2	NEW
	VE573500	T label J	1-D4	NEW
	VE573600	T label U	1-D4	NEW
	VE573700	T label E	1-D4	NEW
	VE573800	T label K	1-D4	NEW
	VE574600	FR Core	4-A3	NEW
	VE574800	0525 Tape	6-D4	NEW
	VE575200	GT Tape	6-B2,C2	NEW
	VE607400	BG Tape 3	3-D2	NEW
	VE607700	0407 Insulating Tape	2-B3,B4 etc	NEW
	VE607800	C Lock Screw	3-B2	NEW
	VE608300	Connect Plate	6-D4	NEW
	VE621700	D Wall Sheet	4-C1	NEW
	VE622300	Monitor Spacer	3-A3	NEW
	VE622400	D Wall Spacer	4-D1	NEW
	VE625600	EPS Screw	3-B1	NEW
	VE626000	US Ring	6-B2	NEW
	VE626100	US FPCA Rubber	6-B2	NEW
	VE627300	US Holder Tape	6-A1	NEW
	VE627800	ES Ring	5-B1	NEW
	VE631100	U2x4BM	1-D1,6-B3	NEW
	VE631200	U2x4NM	2-B1,2-D1 etc	NEW
	VE631300	U2x8BM	1-D1	NEW
	VE631400	3U2x4NM	1-D1,6-A2	NEW
	VE631500	S2x3.5BM	4-D3	NEW
	VE631600	CS-FPCB	6-C1	NEW
	VE633200	Monitor Cover Seal	3-D2	NEW
	VE638700	CF Sheet	4-C1	NEW
	VE638800	RC Mask	4-D2	NEW
	VE651900	Dial Screw	2-C2	NEW
	VJ422600	CF PCA	6-C1	NEW
	VJ441400	POW PCA	4-A4	NEW
	VJ482200	Eye Cup	3-D1	NEW
	VJ486300	Shutter	6-A3	NEW
	VJ488500	MT Contact Frame	6-B3	NEW
	VJ488600	MT Lock Plate	6-B4	NEW
	VJ489100	BAE Frame	6-D3	NEW
	VJ489300	AF	6-D4	NEW
	VJ489500	US Filter	6-B2	NEW
	VJ489900	3TO Frame	5-D1	NEW
	VJ490000	2T Frame	5-D1	NEW
	VJ490100	EY Frame1	5-C2	NEW
	VJ490300	FLCD	5-B2	NEW
	VJ490400	Finder	1-B2	NEW
	VJ490600	Main Frame	1-B3	NEW
	VJ490800	AF Illuminator	1-B2	NEW

## PARTS LIST

E-1

REF No.	PARTS NO	DESCRIPTION	REMARKS	NOTE
	VJ490900	CF Cover	1-B2	NEW
	VJ491001	MAIN PCB	6-D1	NEW
	VJ491300	SYN Terminal	4-A1	NEW
	VJ491400	FR FPCA	4-B4	NEW
	VJ491600	Front Cover	4-D3	NEW
	VJ491700	D Cover	5-D4	NEW
	VJ491800	Eyepiece Frame Unit	3-D1	NEW
	VJ491900	C Lock Knob	3-C2	NEW
	VJ492000	MS Dial	3-B1	NEW
	VJ492100	Back FPCA	3-B4	NEW
	VJ492200	Card Cover	1-D1	NEW
	VJ492300	Connector Cover	3-D3	NEW
	VJ492400	Back Cover	3-D3	NEW
	VJ492600	Suspend Frame	2-A3,2-D4	NEW
	VJ492800	Release	2-C4	NEW
	VJ492900	X Contact Base	2-A4	NEW
	VJ493000	M Dial	2-C4	NEW
	VJ493100	LCD	2-A1	NEW
	VJ493200	M Contact	2-D2	NEW
	VJ493300	Contact Holder	2-B1	NEW
	VJ493400	Upper FPCB	2-D1	NEW
	VJ493500	Upper Cover	1-B1	NEW
	VJ493600	Main Frame H	1-B3	NEW
	VJ493700	CAM	6-C2	NEW
	VJ495800	HS CON	4-B4	NEW
	VJ495900	DCJ HS	4-A4	NEW
	VJ496000	HS LUG	4-B4	NEW
	VJ507300	F Back Light	5-B3	NEW
	VJ526700	CR Socket	4-A2	NEW
	VJ559700	TFT UT	3-B3	NEW
	LV217000	Screen	6-C3	NEW
	LV217500	1-P	5-A2	NEW
	LV217600	FAE Filter	5-B2	NEW
	LV217700	FAE Lens	5-A2	NEW
	LV218000	FLCD Prism	5-B3	NEW
	VT515400	Serial number J	1-B4	NEW
	VT515500	Serial number U	1-B4	NEW
	VT515600	Serial number E	1-B4	NEW
	VT515700	Serial number G	1-B4	NEW
	VT516400	Serial number K	1-B4	NEW
	VT589900	Serial number T	1-B4	NEW
	VT590500	Serial number A	1-B4	NEW
	VT590600	Serial number H	1-B4	NEW

## PARTS LIST

E-1

REF No.	PARTS NO	DESCRIPTION	REMARKS	NOTE
	WE115529	PUK 1.6-225 SN	2-C1	
	WE115133	PUK 1.6× 3 SN	4-B3	
	WE115258	PUK 2 × 2.5 SN	2-B1,D1 etc	
	WE115267	PUK 2 × 3.5 SB	1-C1,C3 etc	
	WE115294	PUK 2 × 4 SN	1-A3,6-C3 etc	
	WE115299	PUK 2 × 5.5 SN	1-C2,D3	
	WE115319	PUK 2 × 8 SN	2-D2	
	WE115629	PUK 2 × 5.5 SB	1-C4	
	WE115668	PUK1.6-445 SN	2-C1	NEW
	WE116097	3PUK 2 × 4 SN	6-B1,C2	
	WE126026	PUTB 2 × 3.5 SN	3-C3	
	WE126030	PUTB 2 × 4 SB	1-C4,6-B2	
	WE126031	PUTB 2 × 4 SN	1-C2,6-D1	
	WE126065	PUTB 1.6 ×2.5 SN	3-B1,C1	
	WE126090	PUTB 1.4 × 4 SN	5-B2	
	WE126101	PUTB 1.6 × 3 SN	2-C3,5-B3 etc	
	WE126105	PUTB 1.6 × 4 SB	2-B1,D1 etc	
	WE126110	PUTB 2 × 5.5 SB	1-B2,C4 etc	
	WE126152	PUTB 1.6 × 5 SB	4-D2,6-C4 etc	
	WE126287	PUTB 1.6-640 SN	2-C1	
	WE126313	PUTB 1.6-655 SN		
	WE126336	PUTB 1.6-435 SN		
	WE126345	PUTB 1.6-650 SN		
	WE126423	PUTB 1.6-730 SN	3-A4,6-D4	
	WE126435	PUTB 1.6-240 SB	6-A2,B2 etc	NEW
	WE201024	B 2.0 UO	3-C1	
	WE201041	B 1.0 UO	3-B1	
	WE201042	B 2.5 UO	2-B2,4-A2	
	WE201044	B 1.5 UO		
	WE301507	NW 4.3-495 BO	2-A2,2-D3	NEW
	WE501076	6N1-4 SN	2-A3,2-D3	NEW